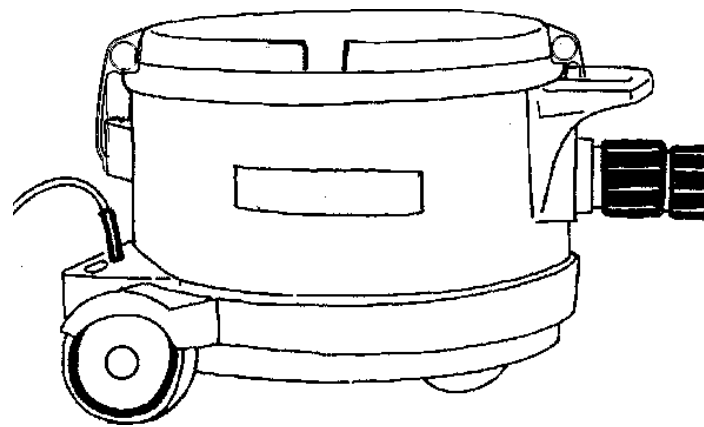


GD 930, GD 930S2



INSTRUCTIONS FOR USE
MODE D'EMPLOI

822 9393 020
56041507
Edition NA2

WARNING

HEPA filter must be installed while working with hazardous materials. Failure to do so will expose people in the work area and others to hazardous materials which is a serious health risk.

EMPTYING

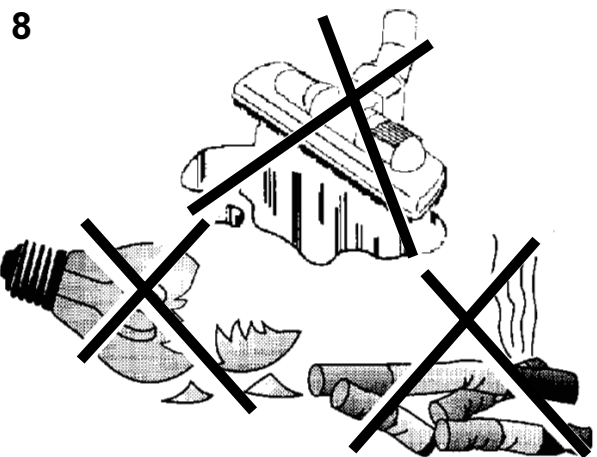
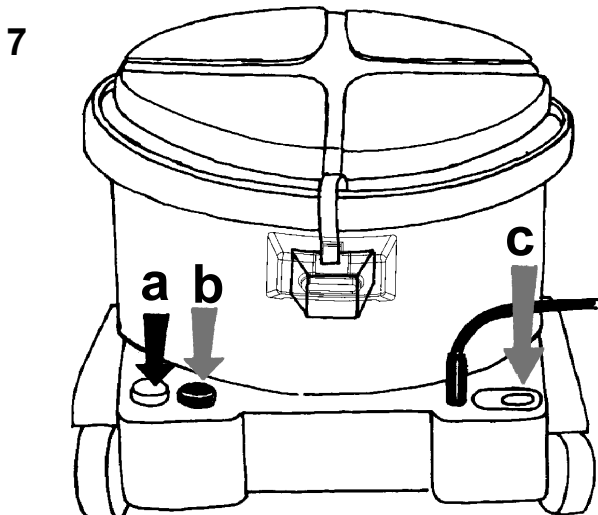
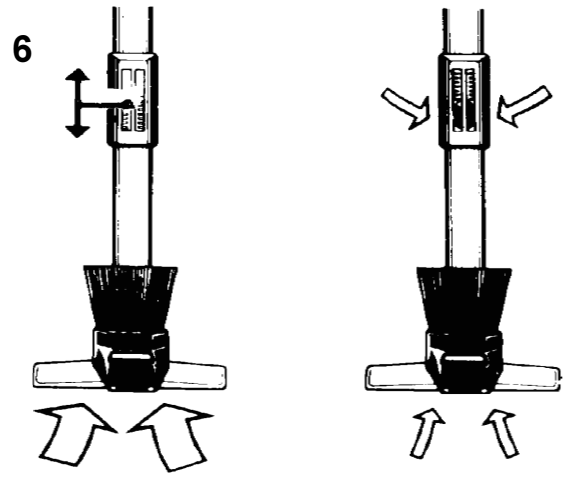
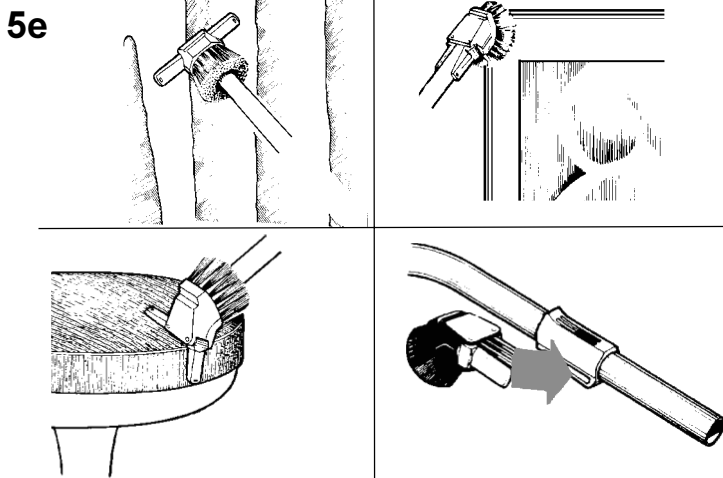
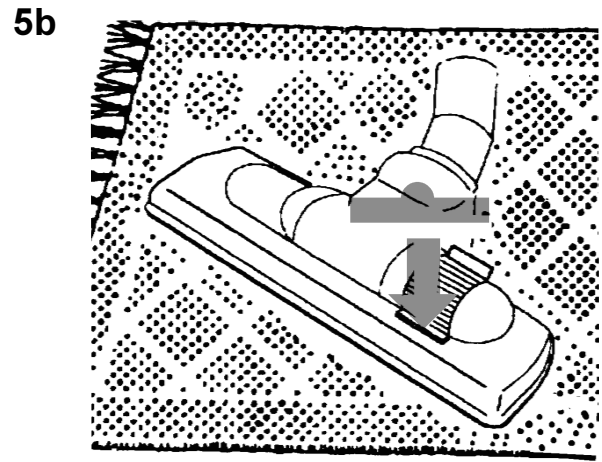
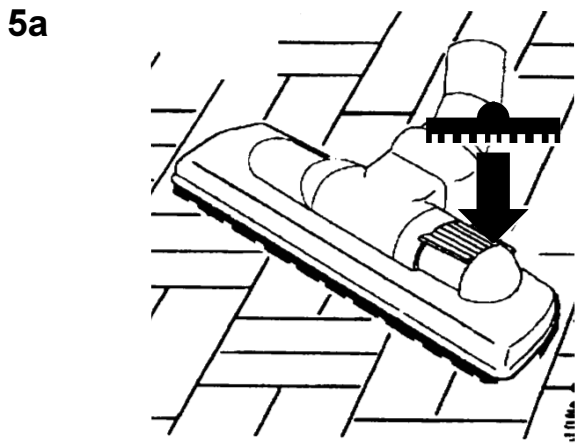
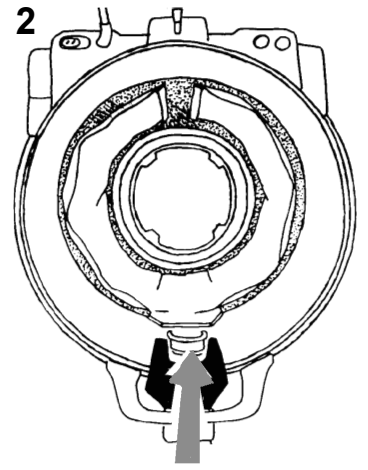
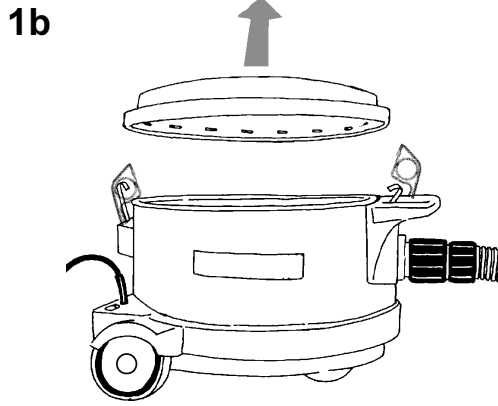
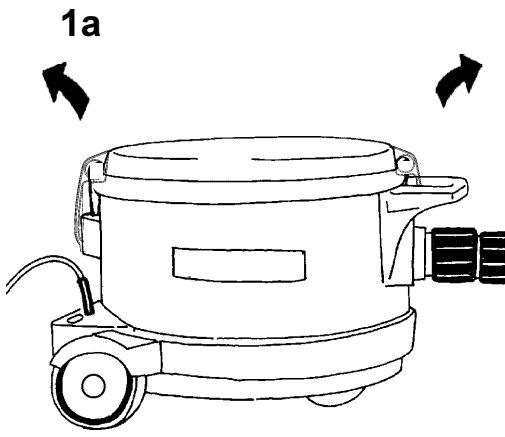
If this vacuum cleaner is used to collect hazardous material, do not attempt to open or empty its contents without personal protective clothing and respiratory protection

ATTENTION

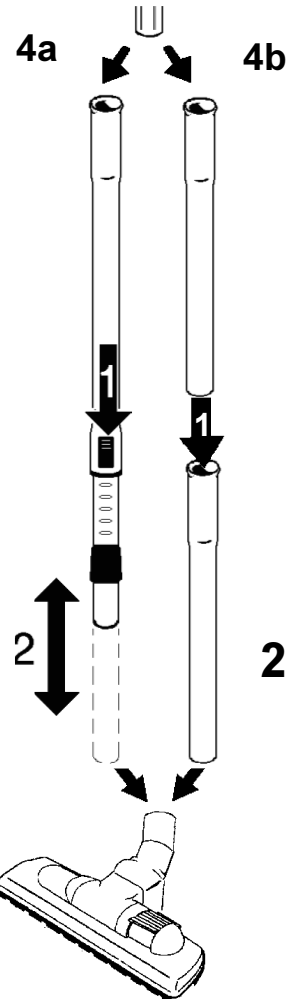
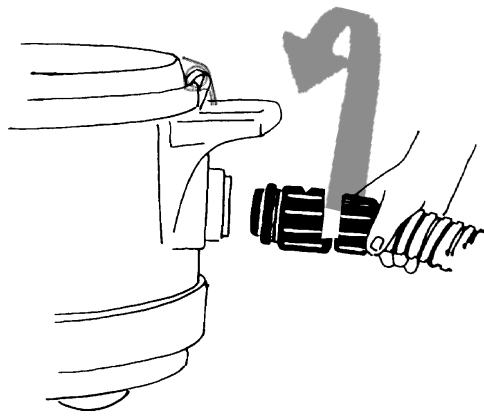
Le filtre Hepa Doit être en place quand on travaille avec des substances dangereuses. Si l'on n'utilise pas le filtre, les personnes se trouvant sur le lieu de travail ou à proximité sont exposées aux substances dangereuses et donc à de graves risques de santé.

VIDAGE

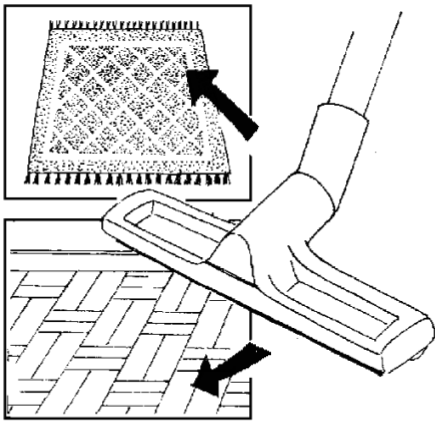
Si cet aspirateur est utilisé pour ramasser des substances dangereuses, ne jamais tenter de l'ouvrir ou de le vider sans porter des vêtements protecteurs et une protection des voies respiratoires.



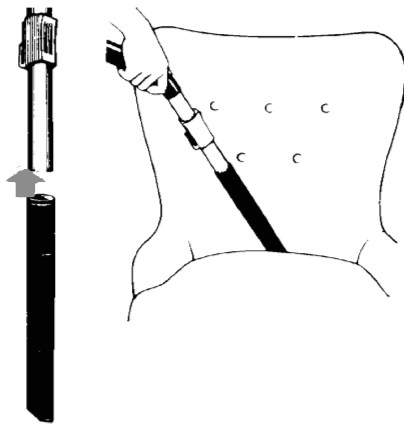
3



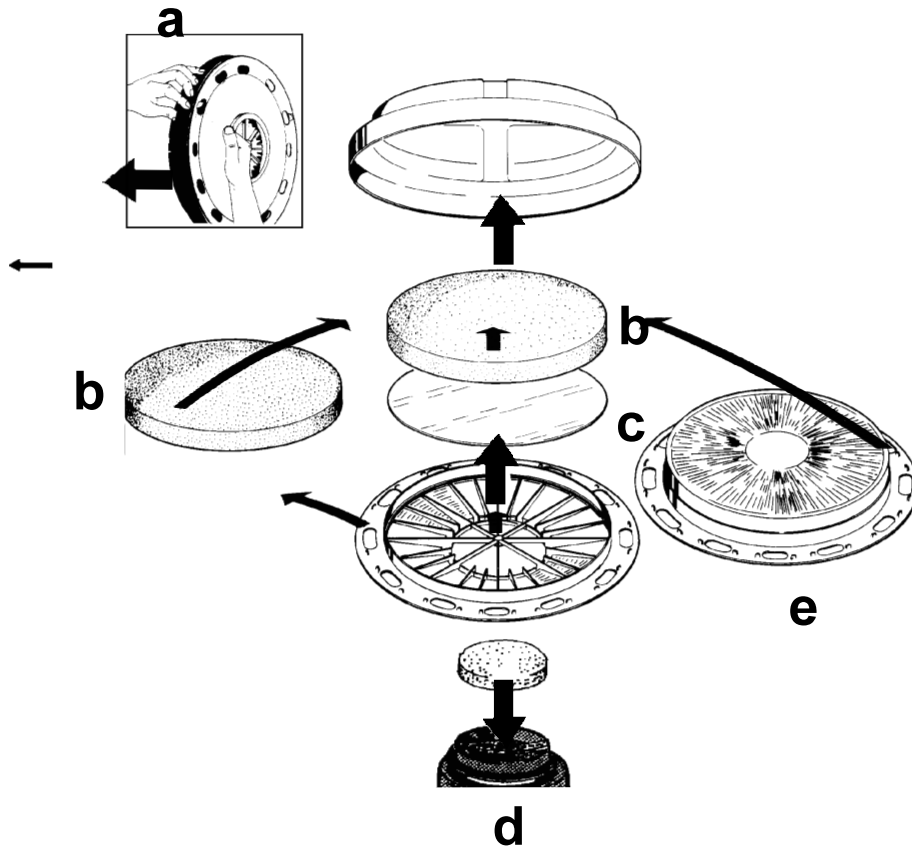
5c



5d



9



IMPORTANT SAFEGUARDS

Accidents due to misuse can only be prevented by those using the machine. READ AND FOLLOW ALL SAFETY INSTRUCTIONS.

WARNING !

To reduce the risk of fire, electric shock, or injury. Please read and follow all safety instructions and caution markings before using.

This vacuum cleaner is designed to be safe when used to perform cleaning functions as specified.

Should damage occur to electrical or mechanical parts, cleaner and / or accessory should be repaired by manufacturer or competent service station before using in order to avoid further damage to machine or physical injury to user.

- Do not use outdoors or on wet surfaces.
- Disconnect cleaner before servicing and when not in use. Do not leave unattended cleaner plugged in.
- Do not use with damaged cord or plug.
To unplug grab the plug, not the cord. Do not handle plug or cleaner with wet hands. Turn off all controls before unplugging.
- Do not pull or carry by cord, use cord as a handle, close a door on cord, or pull cord around sharp edges or corners. Do not run cleaner over cord. Keep cord away from heated surfaces.
- Keep hair, loose clothing, fingers and all parts of the body away from openings and moving parts. Do not put any objects into openings or use with opening blocked. Keep openings free of dust, lint, hair, and anything else that could reduce air flow.
- Do not pick up anything that is burning or smoking, such as cigarettes, matches or hot ashes.
- Do not use to pick up flammable or combustible liquids such as gasoline or use in areas where they may be present.
- Do not allow to be used as a toy. Close attention is necessary when used by or near children.
- Do not use unless filters and bag are in place.
- Use extra care when using on stairs or irregular surfaces.
- If cleaner is not working properly or has been dropped, damaged, left outdoors, or dropped into water, return it to a service center or dealer.
- Use only as described in this manual and only with manufacturer's recommended attachments.

- The use of the HEPA-filter when picking up hazardous materials has not been evaluated by Underwriters Laboratories.
- The use of this machine in conjunction with the pick-up of hazardous materials has not been investigated by UL.

GENERAL INFORMATION

This vacuum cleaner can be used for household or commercial use.

BEFORE YOU PLUG IN YOUR CLEANER, check the rating plate to see if the rated voltage agrees within 10% of the voltage available.

DO NOT OIL! The motor in your new cleaner is permanently lubricated and sealed. Do not oil the motor at any time.

During shipping, the dust bag may have become dislodged. Check the bag to insure proper seating before attempting to use the cleaner. Do not operate the cleaner without the dust bag as damage may result to the motor.

When the machine is not in use, store it standing on its back-side. Wind the cord beginning at the machine and then store the cord hanging on the machine handle.

This vacuum cleaner is equipped with a thermo protection switch to prevent overheating of components. Should this safety switch shut the system down it is necessary to wait at least 5 -10 minutes for it to automatically reset. Remove clogged elements in hose and replace dust bag if necessary during this period. Check also filter if it is clogged.

For longer service life and safe use of your vacuum cleaner, we recommend the following guidelines: Your cleaner is designed to pick up dirt and dust particles. **It is not designed for water pick up.** Avoid picking up hard or sharp objects with your cleaner to avoid bag breakage, clogging or possible motor damage.

IMPORTANT!

The GD 930S/S2 is equipped with a specially designed cable, if it's damaged, it must be replaced by a cable of the same type. These cables are available at authorized service shops and must be installed by trained personnel.

SAVE THESE INSTRUCTIONS

Grounding / Double insulation instructions

Grounding instructions

Applicable to machines with a three pin plug. This appliance must be grounded. If it should malfunction or breakdown, grounding provides a path of least resistance for electric current to reduce the risk of electric shock. This appliance is equipped with a cord having an equipment-grounding conductor and grounding plug. The plug must be plugged into an appropriate outlet that is properly installed and grounded in accordance with all local codes and ordinances.

DANGER!

Improper connection of an equipment-grounding conductor can result in risk of electric shock. Check with qualified electrician or service person if you are in doubt as to whether the outlet is properly grounded. Do not modify the plug provided with the appliance. If it will not fit the outlet, have proper outlet installed by a qualified technician.

This appliance is for use on a nominal 120 volt circuit and has a grounding plug that looks like the plug illustrated in Figure A. A temporary adaptor which looks like the adaptor illustrated in Figure B may be used to connect this plug to a two-pole receptacle, as shown, if a properly grounded outlet is not available. The temporary adaptor should be used only until a properly grounded outlet, Figure A, can be installed by a qualified electrician. The green colored rigid ear, lug, or the like extending from the adaptor must be connected to a permanent ground such as a properly grounded outlet box cover. Whenever the adaptor is used, it must be held in place by a metal screw.

NOTE! This temporary adaptor is not permitted in Canada.

Servicing of double-insulated appliances

Applicable to machines with a two-pin plug

In a double-insulated appliance, two systems of insulation are provided instead of grounding. No grounding means is provided on a double-insulated appliance, nor should a means for grounding be added to the appliance. Servicing a double-insulated appliance requires extreme care and knowledge of the system, and should be done only by qualified service personnel. Replacement parts for a double-insulated appliance must be identical to the parts they replace. A double insulated appliance is marked with the words

"DOUBLE INSULATION" or "DOUBLE INSULATED."

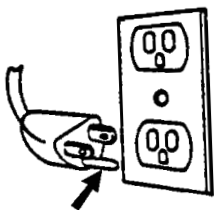
The symbol (square within a square) may also be used on the product.



SERVICE INFORMATION

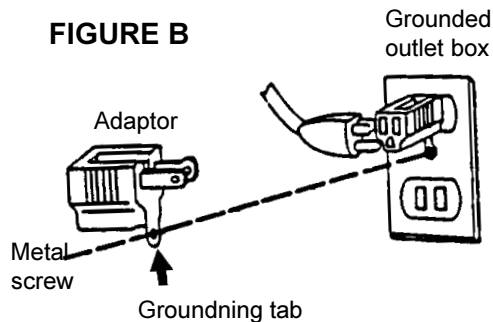
To obtain consistent performance over the life of your vacuum, read through these instructions and keep them handy for future reference. If you require service, contact the dealer from whom the vacuum was purchased, or the local authorized Service Station. Always refer to your Service Station for complete service information. For prompt and complete service information, always refer to the model, type and serial number indicated on the rating plate.

FIGURE A Grounded outlet box



Grounding blade is the longest of the 3 blades

FIGURE B



1. To open

- a) Pull the retaining clips upward and outward .
- b) Lift the cover from the container.

2. Dust bag

Fit the opening on the dust bag over the air inlet. Press the membrane over the flanged edge on the inlet. Secure with the lock washer. Use only original dust bags.

3. Hose connection

Push the hose coupling all the way in and turn clockwise.

4. Wand assembly

a)Telescopic: Push down the catch and then adjust the length. Max.950mm,min.630mm.

b)Standard: Fit the sections together and twist to lock in place.

5. Tools

The accessories shown in the pictures may vary from model to model.

a-b) Combination nozzle

Adjust the nozzle according to the requirements of the floor you are cleaning. Work with the brush on hard floors and without it on soft floors.

c) Universal nozzle

for both hard floors and carpets.

d) Crevice nozzle

Use to clean furniture, radiators and others hard-to-reach places.

e) Small combi-nozzle:

The small combi-nozzle combines a dusting brush for furniture, picture frames, mouldings etc. with a fold-out nozzle for cleaning curtains, furniture and other soft surfaces. The clip on the hose handle holds the nozzle when it is not in use.

6. Suction control

The suction control in the hose handle lets you regulate the air-flow to prevent the nozzles from fastening to the surfaces you are vacuum cleaning.

7. Start/Stop

a)Foot-operated on/off switch.

b)On the S 2 version a separate switch is provided to change the motor speed .

c)Plug-in point for powered carpet nozzle. Power is supplied to the socket when the machine is switched on.

8. Warning!

Never attempt to vacuum liquid, glass fragments or ashes!

Wet surfaces can expose the operator to possible electrical shock.

9. Filter

The filters are located inside the lid. To reach them lift out the filter holder (a). The standard filter(b) and fine filter (c) should be inspected at regular intervals,e.g. when you change dust bags, and replace if necessary. Instead of these two filters you can fit a micro filter of HEPA-quality (e), wich traps 99,99% of all particles larger than 0,3 microns. The machine is also fitted with a backupp filter (d) located above rthe motor. This filter should also be inspected and replaced if necessary.

NB!

Remove the plug from the socket before performing service or maintenance.